



Province of the
EASTERN CAPE
EDUCATION

DIRECTORATE SENIOR CURRICULUM MANAGEMENT (SEN-FET)

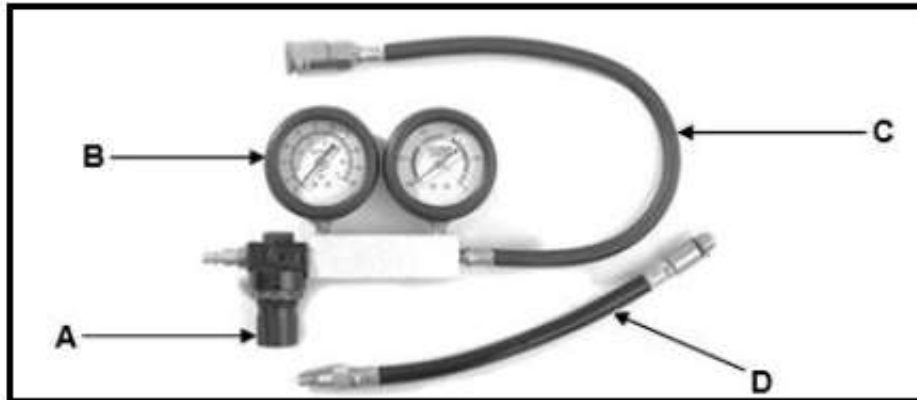
HOME SCHOOLING SELF-STUDY WORKSHEET

SUBJECT	AUTOMOTIVE	GRADE	12	DATE	APRIL 2020
TOPIC	TOOLS AND EQUIPMENT	TERM 1 REVISION	(√)	TERM 2 CONTENT	()
TIME ALLOCATION	2 hrs.	<u>TIPS TO KEEP HEALTHY</u>			
INSTRUCTIONS		1. WASH YOUR HANDS thoroughly with soap and water for at least 20 seconds. Alternatively, use hand sanitizer with an alcohol content of at least 60%. 2. PRACTICE SOCIAL DISTANCING – keep a distance of 1m away from other people. 3. PRACTISE GOOD RESPIRATORY HYGIENE: cough or sneeze into your elbow or tissue and dispose of the tissue immediately after use. 4. TRY NOT TO TOUCH YOUR FACE. The virus can be transferred from your hands to your nose, mouth and eyes. It can then enter your body and make you sick. 5. STAY AT HOME.			

TOOLS & EQUIPMENT SPECIFIC

QUESTION 1 (Nov 2019)

Below shows a cylinder leakage tester. Answer the questions that follow.



1.1 Label A–D.

1.2 What is the purpose of the cylinder leakage tester?

1.3 State, in the correct sequence, the set-up procedure of the cylinder leakage tester on an internal combustion engine.

2. With the reference to the engine cylinder compression tester:

2.1 What is the purpose of conducting an engine cylinder compression test?

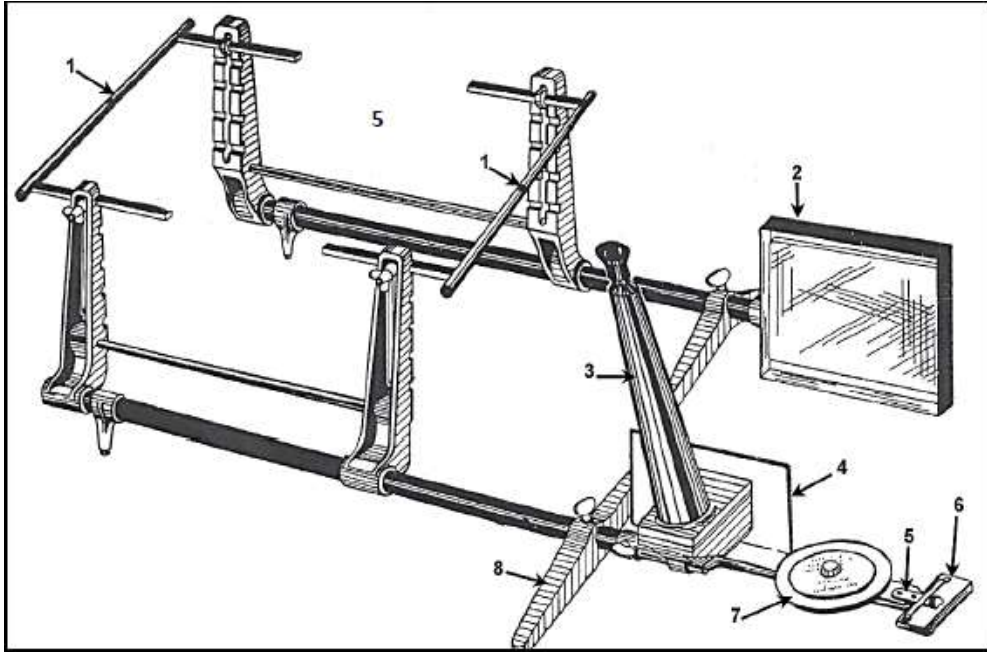
2.2 State ONE purpose of the pressure relief valve in the compression tester.

3. Name TWO gases that the exhaust gas analyser analyses.

4. What is the purpose of the turn tables with reference to the wheel alignment equipment?

5. State THREE outcomes of dynamic wheel balancing.

6. Below is an alignment equipment used in automotive workshops. Answer the questions that follow.



6.1.1 Identify the equipment indicated in the diagram above.

6.1.2 Label parts 1–8.

6.1.3 Describe the function of the equipment.

6.2 State any FOUR safety rules that must be followed in order to achieve accurate results during the process of using emission gas analysers to test the exhaust gases of a car.

6.3 In point form describe the set-up procedure when using a card type compression tester.

6.4 What is the main purpose of the following tools in an automotive workshop?

6.4.1 Gas analyser

6.4.2 Wheel balancer

6.4.3 Compression tester

