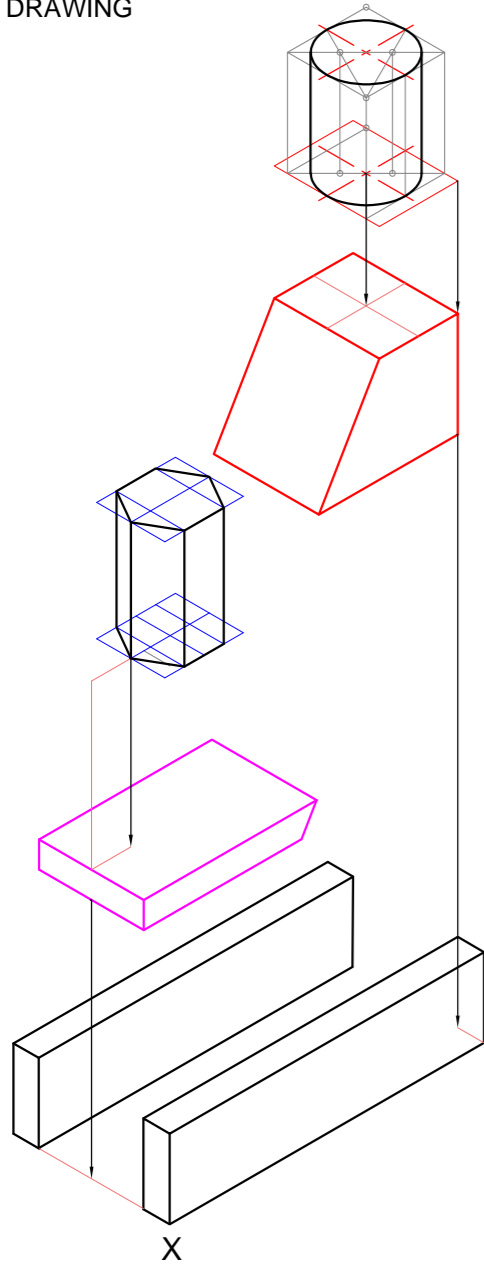


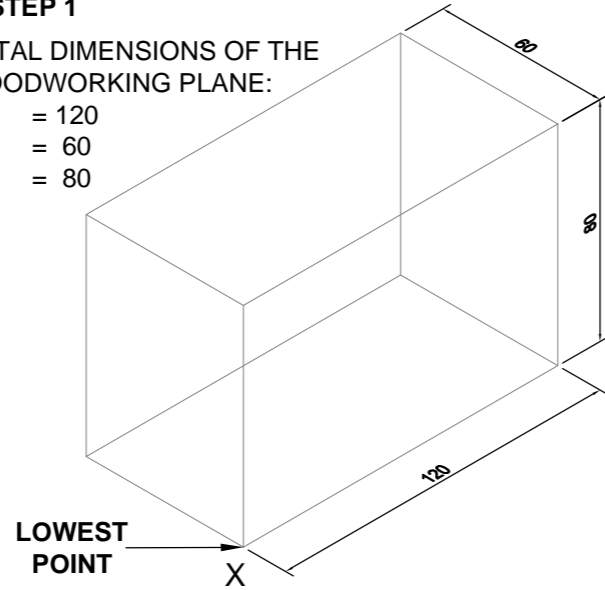
EXPLODED VIEW OF COMPONENTS THAT MAKE UP THIS ISOMETRIC DRAWING



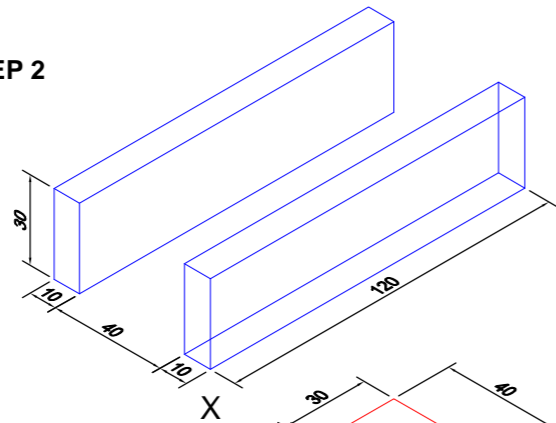
STEP 1

TOTAL DIMENSIONS OF THE WOODWORKING PLANE:

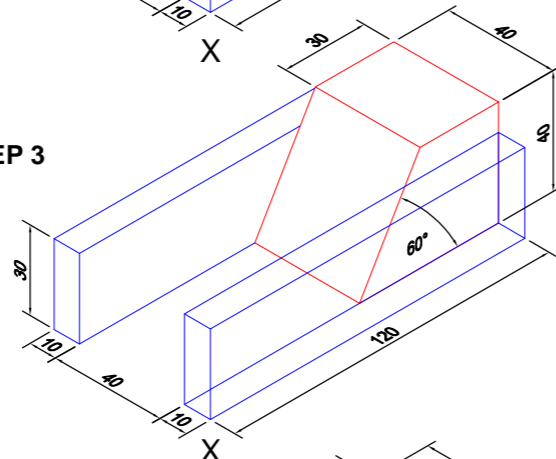
- W = 120
- D = 60
- H = 80



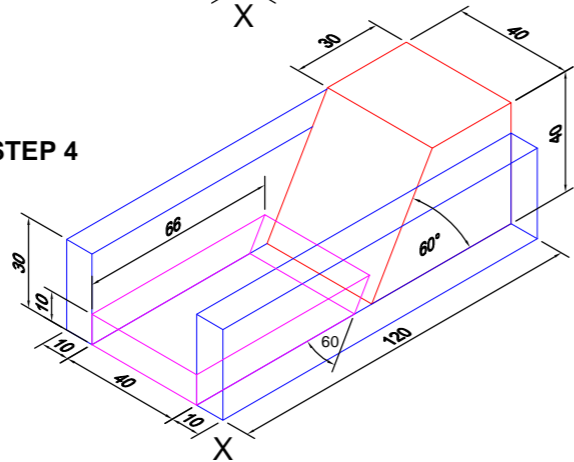
STEP 2



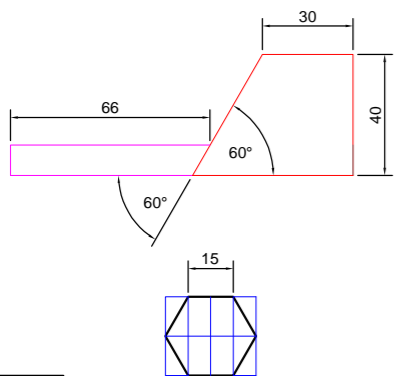
STEP 3



STEP 4

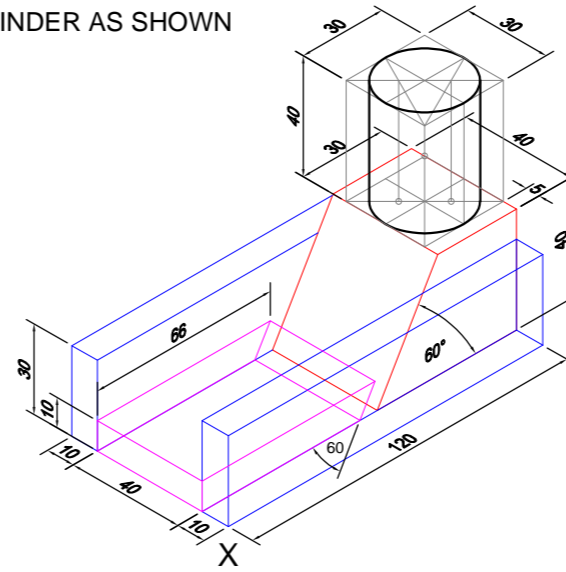


CONSTRUCTIONS REQUIRED TO COMPLETE THE DRAWING



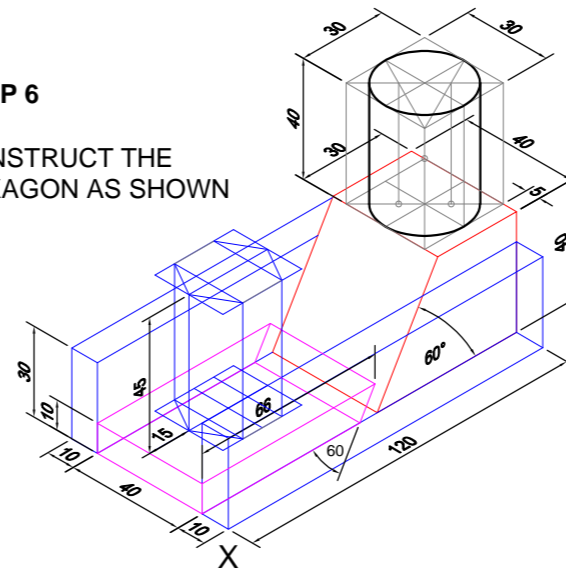
STEP 5

CONSTRUCT THE CYLINDER AS SHOWN



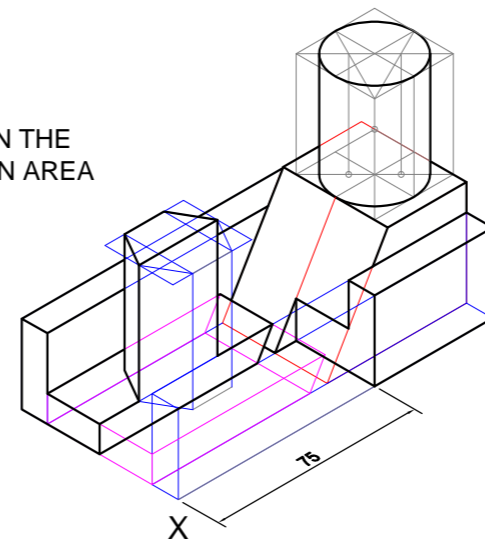
STEP 6

CONSTRUCT THE HEXAGON AS SHOWN



STEP 7

DRAW IN THE SECTION AREA



QUESTION

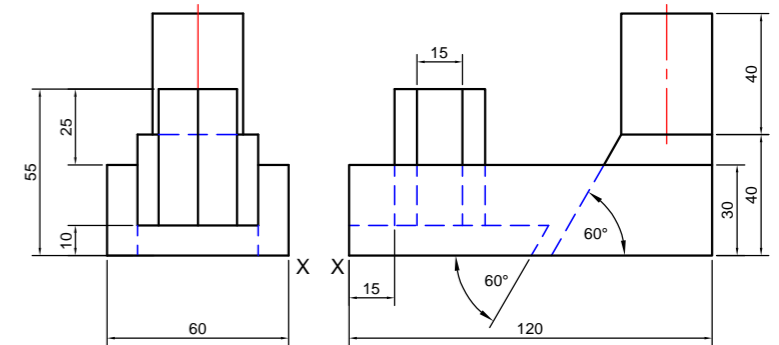
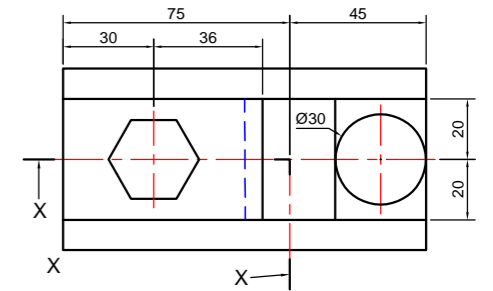
Given:

- The front view, top view and left view of a woodworking plane.
- The position of point X on the drawing sheet.

Instructions:

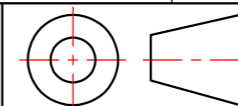
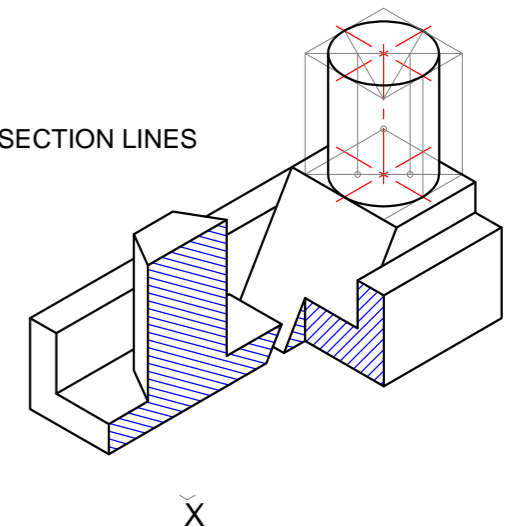
Use scale 1:1 and convert the orthographic views of the woodworking plane into a sectional isometric drawing on cutting plane A-A

- Make X the lowest point on the drawing
- Show ALL necessary construction
- NO stencils may be used
- NO hidden detail is required.



STEP 8

DRAW THE SECTION LINES



NAME	DATE
GRADE / DIV.	NOV2015P2Q3

QUESTION

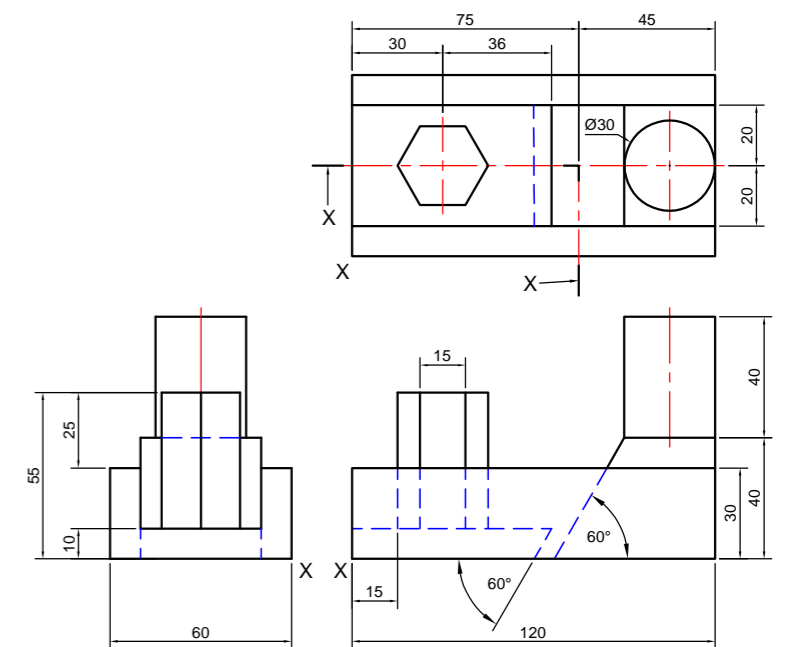
Given:

- The front view, top view and left view of a woodworking plane.
- The position of point X on the drawing sheet.

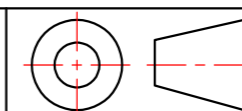
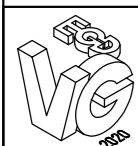
Instructions:

Use scale 1:1 and convert the orthographic views of the woodworking plane into a sectional isometric drawing on cutting plane A-A

- Make X the lowest point on the drawing
- Show ALL necessary construction
- NO stencils may be used
- NO hidden detail is required.



X



NAME	DATE
GRADE / DIV.	NOV2015P2Q3

QUESTION

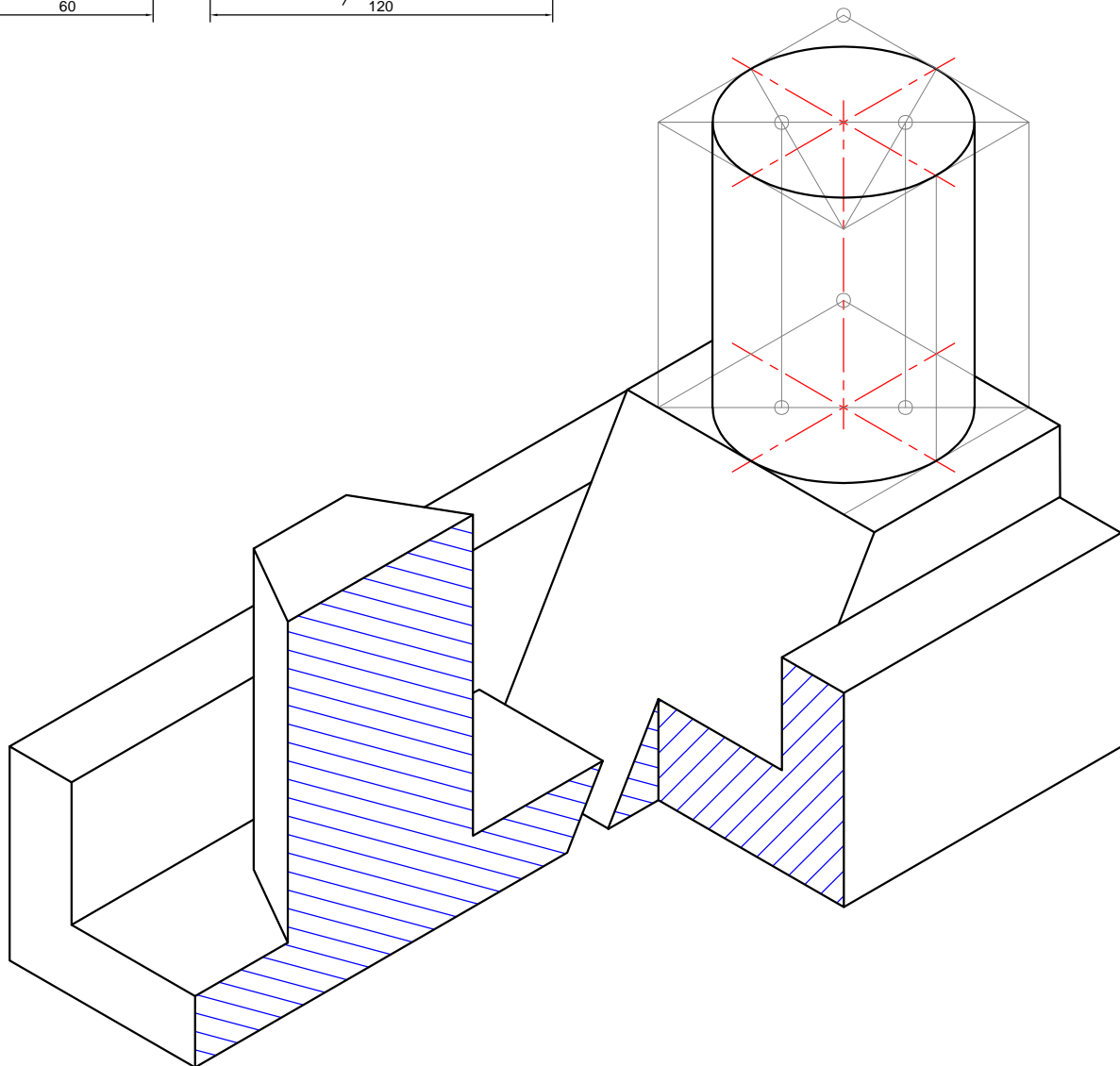
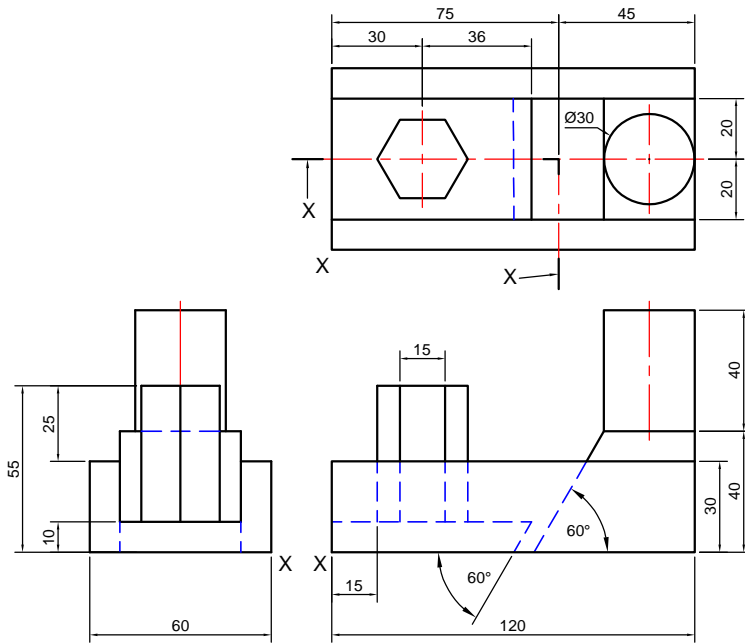
Given:

- The front view, top view and left view of a woodworking plane.
- The position of point X on the drawing sheet.

Instructions:

Use scale 1:1 and convert the orthographic views of the woodworking plane into a sectional isometric drawing on cutting plane A-A

- Make X the lowest point on the drawing
- Show ALL necessary construction
- NO stencils may be used
- NO hidden detail is required.



X

ISOMETRIC DRAWING	SCALE 1:1	NAME	DATE	N15
		GRADE / DIV.	NOV2015P2Q3	